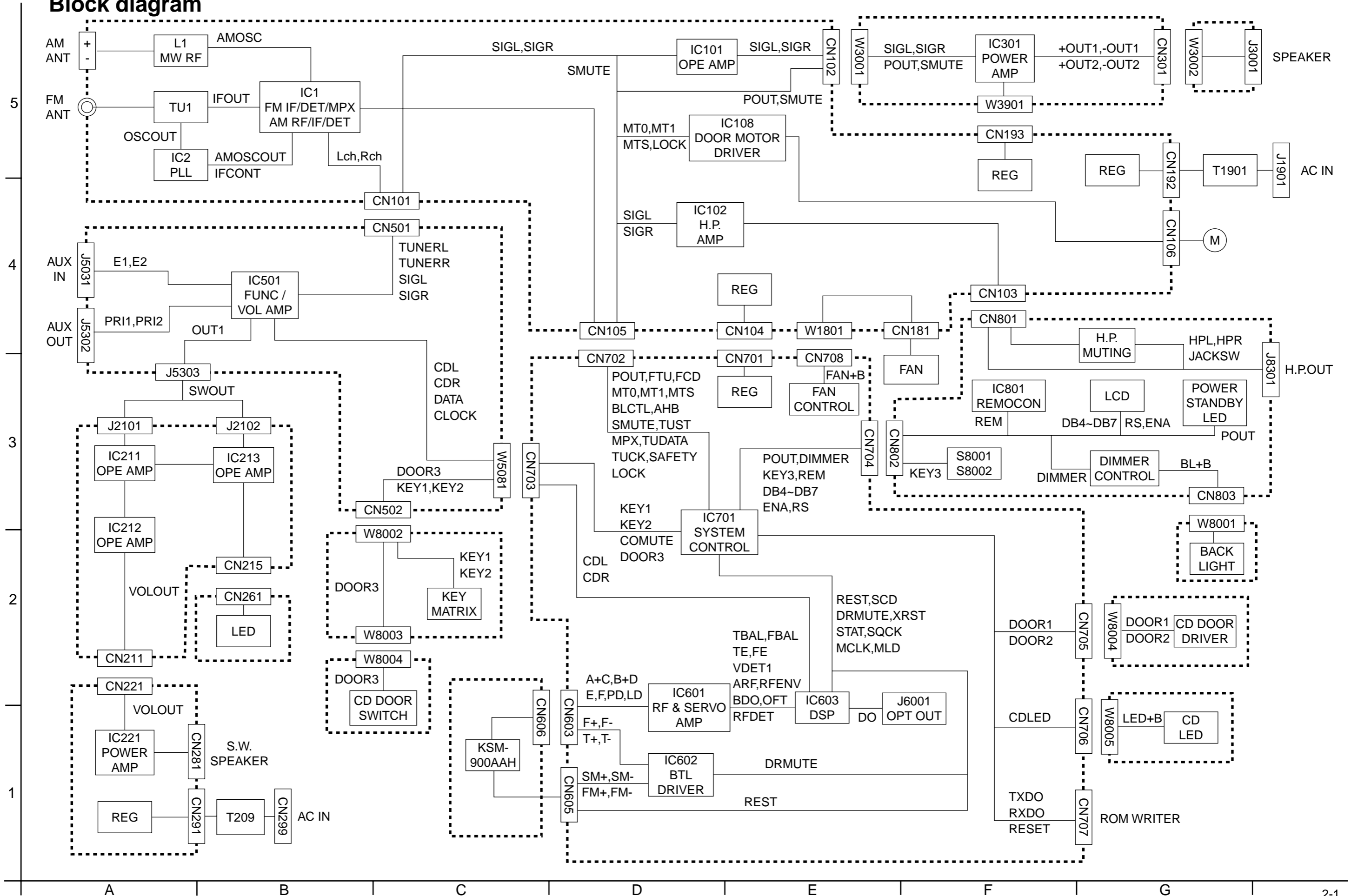
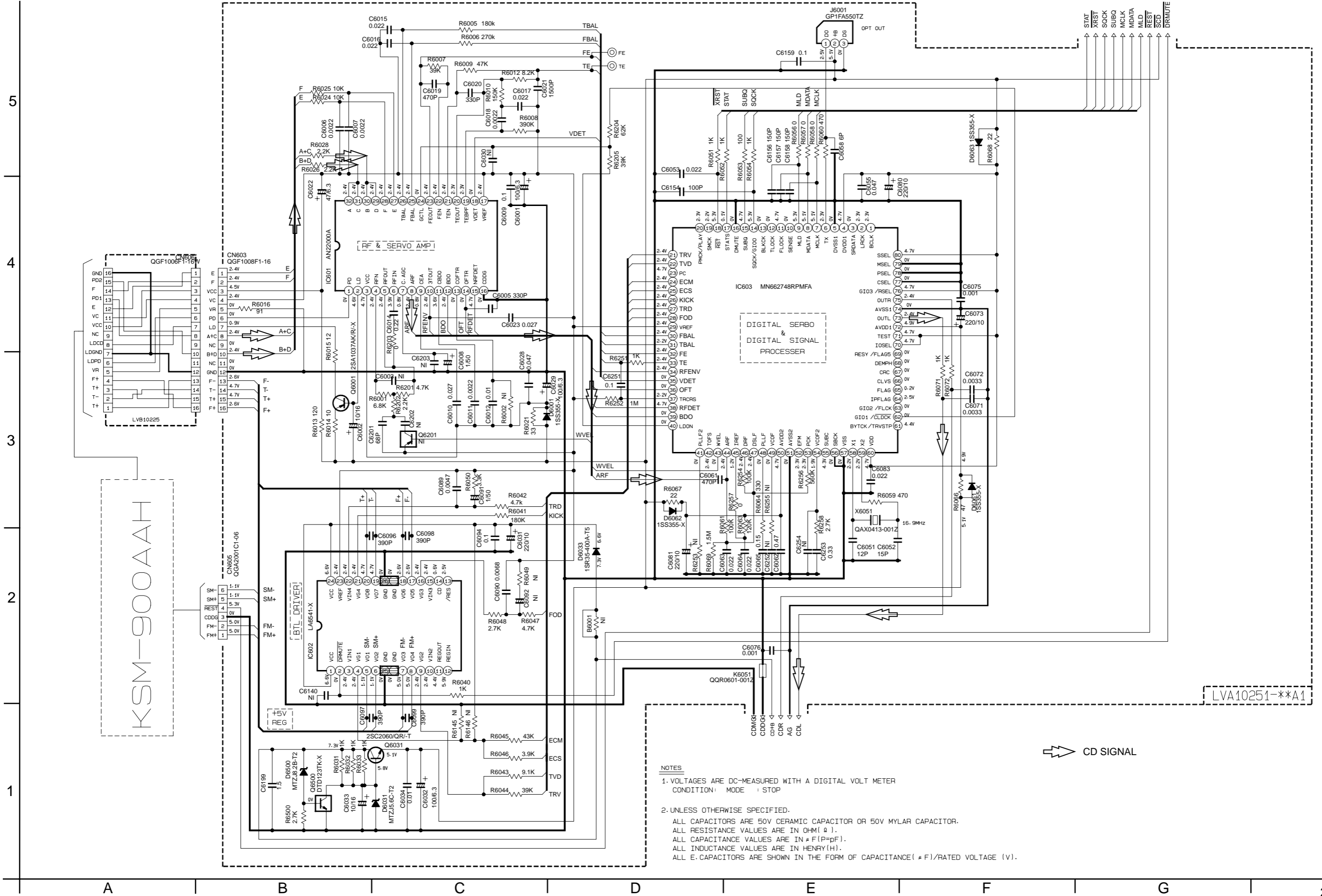


Block diagram



CD servo control section



NOTES

1. VOLTAGES ARE DC-MEASURED WITH A DIGITAL VOLT METER
CONDITION: MODE : STOP
2. UNLESS OTHERWISE SPECIFIED.
ALL CAPACITORS ARE 50V CERAMIC CAPACITOR OR 50V MYLAR CAPACITOR.
ALL RESISTANCE VALUES ARE IN OHM (Ω).
ALL CAPACITANCE VALUES ARE IN μF (P=pF).
ALL INDUCTANCE VALUES ARE IN HENRY (H).
ALL E. CAPACITORS ARE SHOWN IN THE FORM OF CAPACITANCE (μF)/RATED VOLTAGE (V).

■ LCD & Key control section

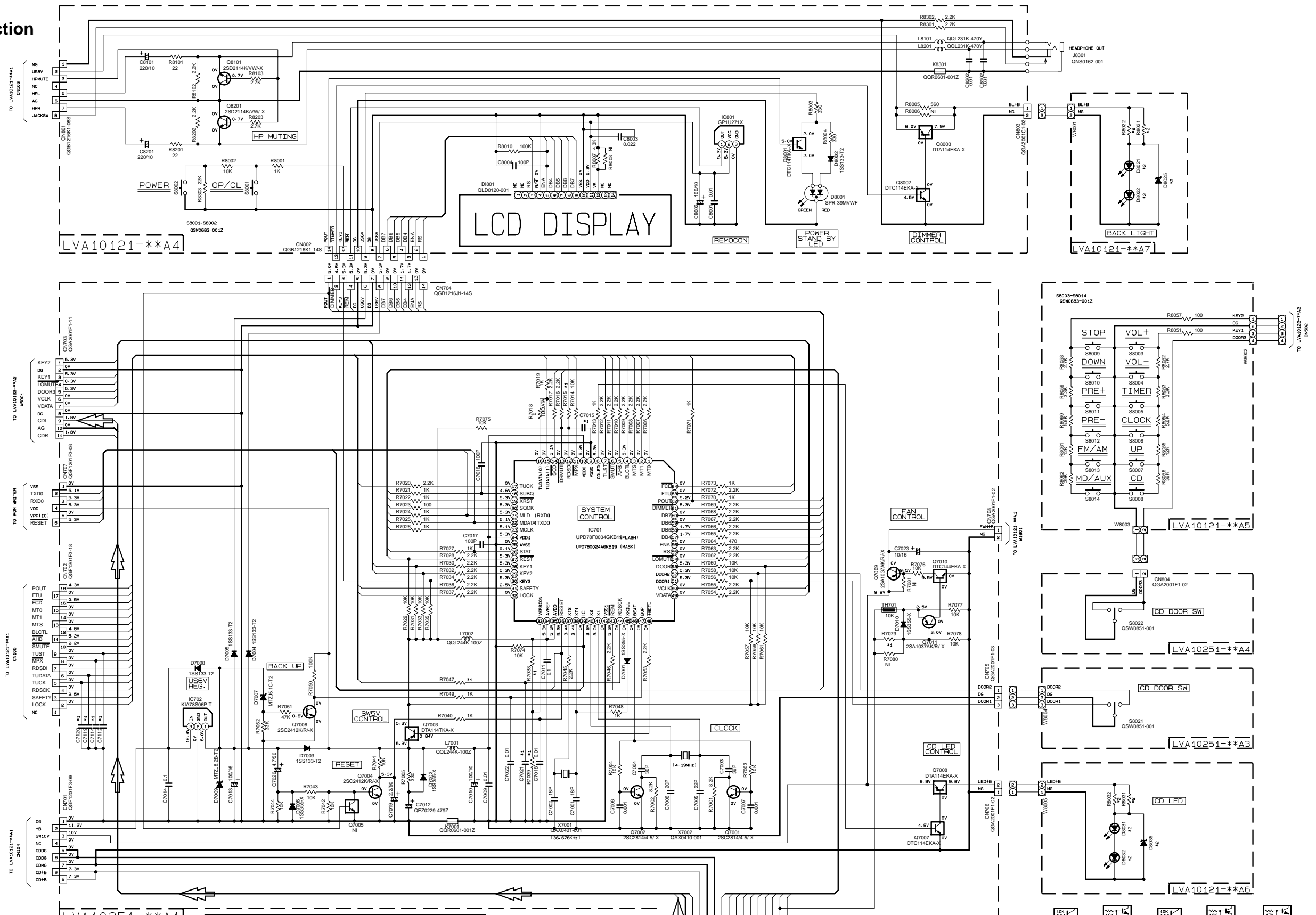
5

4

3

2

1

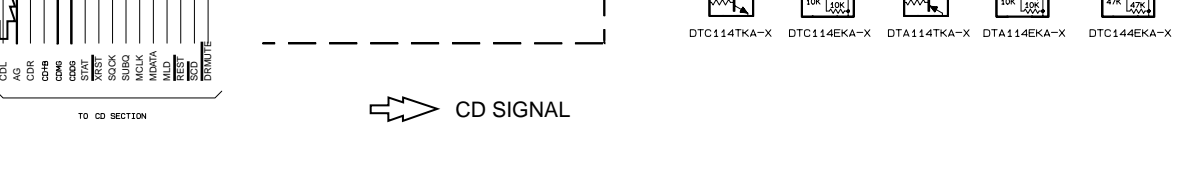


NOTES

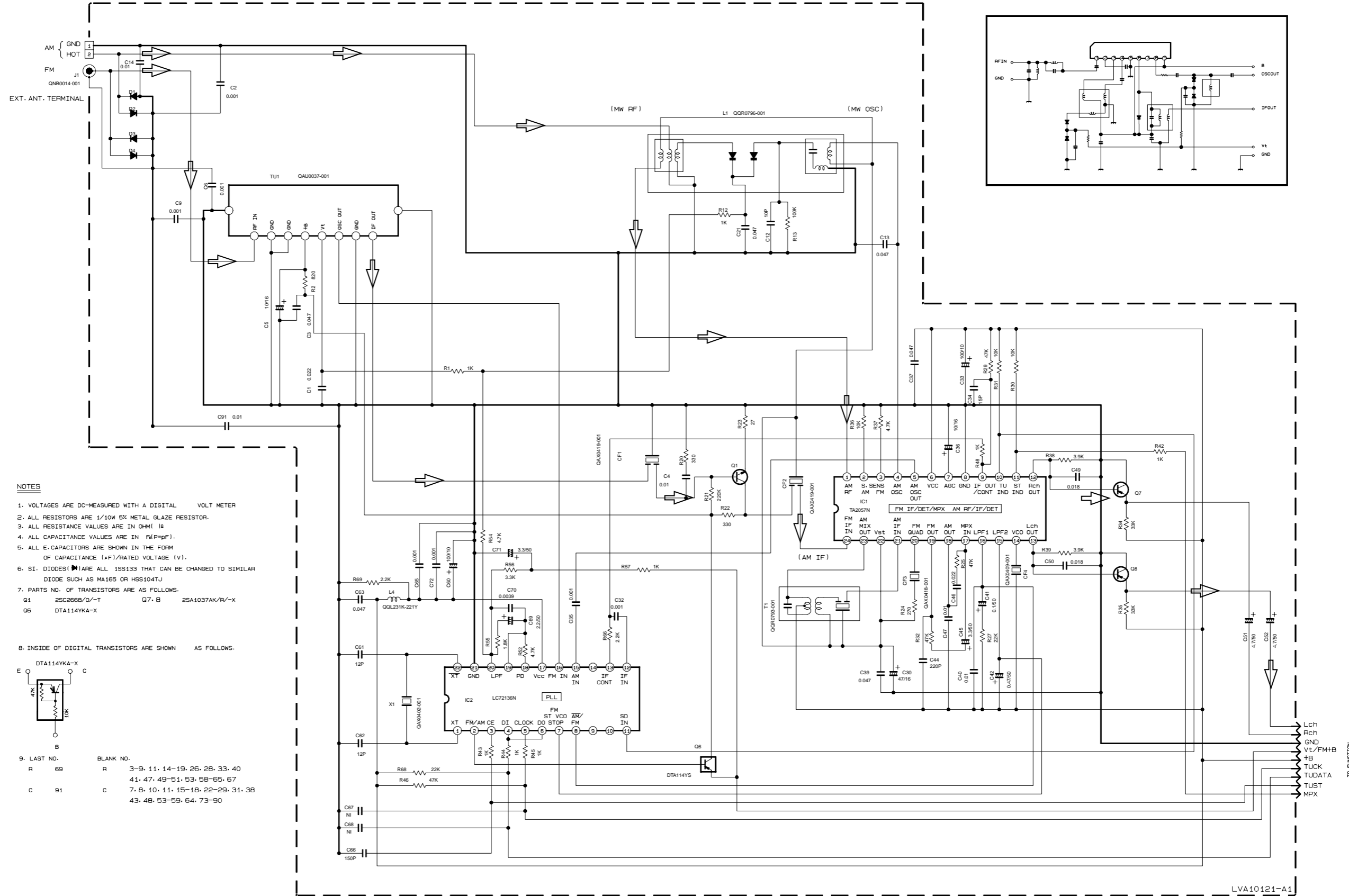
- VOLTAGES ARE DC-MEASURED WITH A DIGITAL VOLT METER OR OSCILLOSCOPE WITHOUT INPUT SIGNAL. CONDITION --- CD STOP AT AC SUPPLY VOL: 16 BASS: 0 TREBLE: 0 AHB: ON DIMMER: OFF
- UNLESS OTHERWISE SPECIFIED, RESISTORS ARE 1/10W (OR 1/16W) ±5% MG RESISTOR. ALL RESISTANCE VALUES ARE IN Ω(KH). ALL CAPACITORS ARE CERAMIC CAPACITOR OR MYLAR CAPACITOR. ALL CAPACITANCE VALUES ARE IN P(F=PF). ALL INDUCTANCE VALUES ARE IN μH(M=MH). ALL E-CAPACITORS ARE SHOWN IN THE FORM OF CAPACITANCE (F)/RATED VOLTAGE (V).

	US	UY/UT	UT/UF/UP/UB	J/C	EE	A	B/E/EN/EV	D _o
R7038	27K	68K	27K	47K	12K	4.7K	10K	-
R7039	4.7K	27K	4.7K	33K	27K	27K	-	10K
R7015	-	-	-	-	1K	-	1K	-
C7015	-	-	-	-	100P	-	100P	-
R7047	-	-	-	-	1K	-	1K	-
C7021	-	-	-	-	100P	-	100P	-
C7112, C7114, C7119, C7120	100P	100P	100P	-	-	-	-	-
R7079	6.8K	5.1K	5.1K	5.1K	5.1K	5.1K	5.1K	5.1K

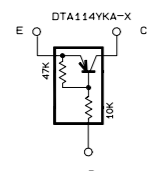
	FS-S05(R)/Z(R)	FS-S09(R)
D8021, D8022	SELU1E50CM	TLYH156P
D8025	MTZJ10C-T2	-
R8021, R8022	100	390
D8031, D8032	SELU1E56BM	TLYH156P
D8035	MA3100/W-X	-
R8031, R8032	430	560



Tuner section



NOTES

1. VOLTAGES ARE DC-MEASURED WITH A DIGITAL VOLT METER
2. ALL RESISTORS ARE 1/10W 5% METAL GLAZE RESISTOR.
3. ALL RESISTANCE VALUES ARE IN OHM (Ω)
4. ALL CAPACITANCE VALUES ARE IN PICO (pF).
5. ALL E. CAPACITORS ARE SHOWN IN THE FORM OF CAPACITANCE (+F)/RATED VOLTAGE (V).
6. SI. DIODES (▶) ARE ALL 1SS133 THAT CAN BE CHANGED TO SIMILAR DIODE SUCH AS MA165 OR HSS104TJ
7. PARTS NO. OF TRANSISTORS ARE AS FOLLOWS.
 Q1 2SC266B/O/-T Q7. B 2SA1037AK/R/-X
 Q6 DTA114YKA-X
8. INSIDE OF DIGITAL TRANSISTORS ARE SHOWN AS FOLLOWS.

9. LAST NO. BLANK NO.
 R 69 R 3-9, 11, 14-19, 26, 28, 33, 40
 41, 47, 49-51, 53, 58-65, 67
 C 91 C 7, 8, 10, 11, 15-18, 22-29, 31, 38
 43, 48, 53-59, 64, 73-90

CONDITION	PIN NO.	1	2	3	4	5	6	7	8	9	10	11	12	13	14	15	16	17	18	19	20	21	22	23	24	
IC1	FM NO SIGNAL	2.0	0.5	0	2.0	5.1	5.1	0	0	0.3	5.1	5.1	1.1	1.1	1.1	4.4	3.7	3.7	1.4	0	1.3	1.1	2.0	2.0	5.1	2.0
	FM 600B STEREO	2.0	0.5	0	2.0	5.1	5.1	1.1	0	0.3	0	0	1.1	1.1	4.3	4.1	3.7	1.4	0	1.4	1.1	2.0	2.0	5.1	2.0	
	AM NO SIGNAL	2.0	0.5	0	2.0	5.1	5.1	0	0	0.3	5.1	5.1	1.1	1.1	4.5	0.1	0	1.4	1.4	1.5	1.6	2.0	2.0	5.1	2.0	
IC2	FM NO SIGNAL	2.4	0	0	1.1	5.0	1.1	3.7	3.7	0	0	5.1	0	0	0	0	2.6	5.1	1.0	1.0	3.7	0	2.7			

Tr No.	Q1	Q6	Q7	Q8								
FM 87.5MHZ	0	7.5	0.7	8.8	8.8	0	1.6	0	1.1	1.6	0	1.1
AM 520KHZ	0	0	0	8.8	0	8.7	1.6	0	1.1	1.6	0	1.1

▶ TUNER SIGNAL

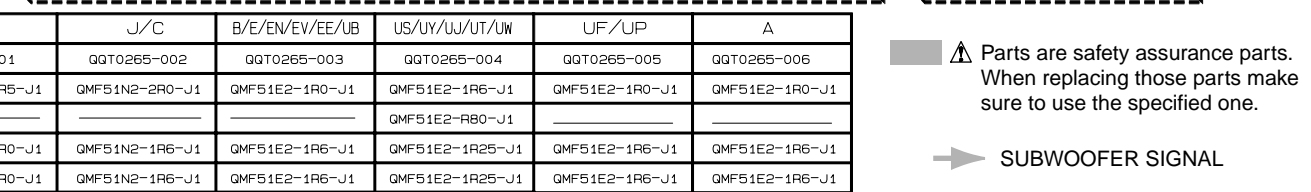
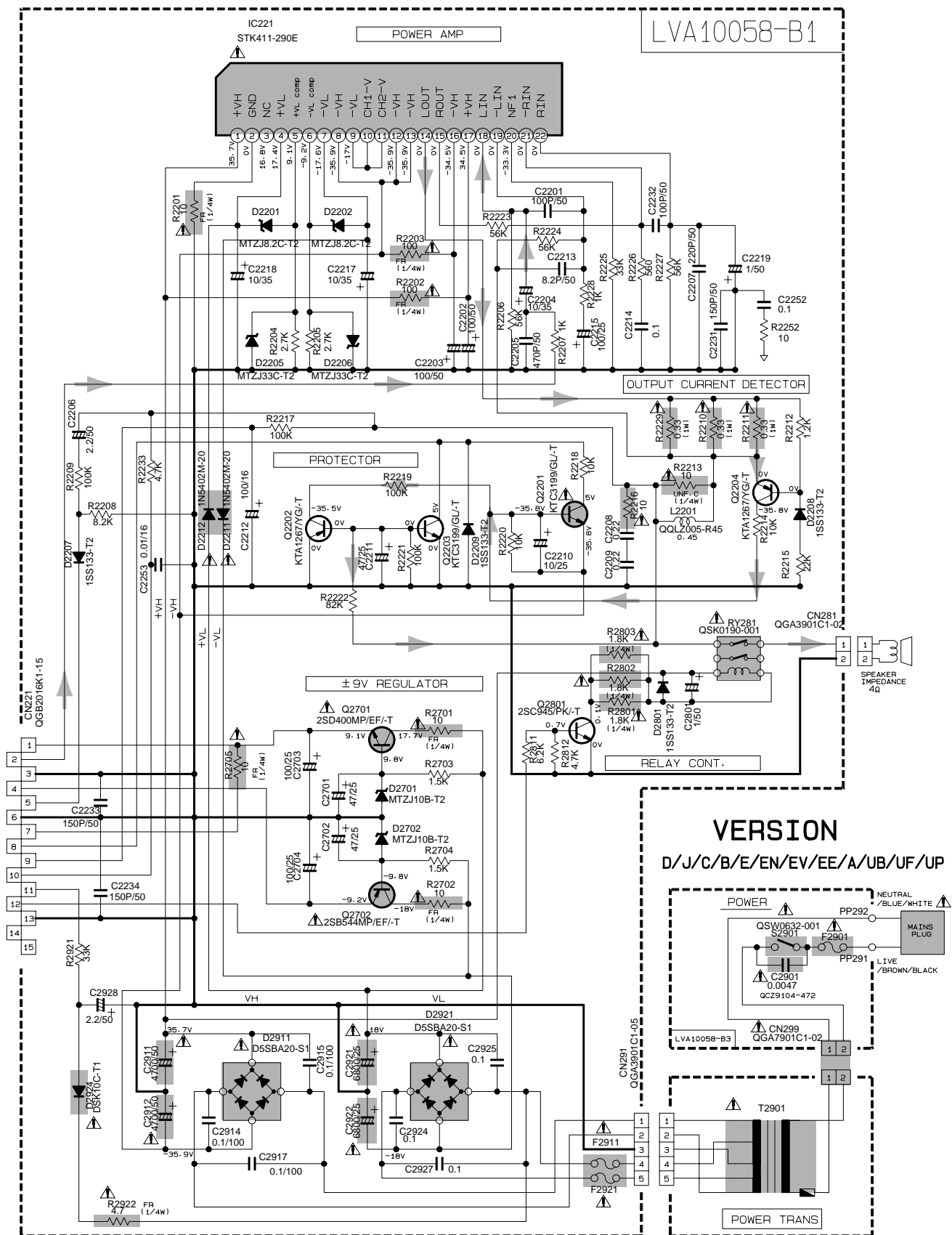
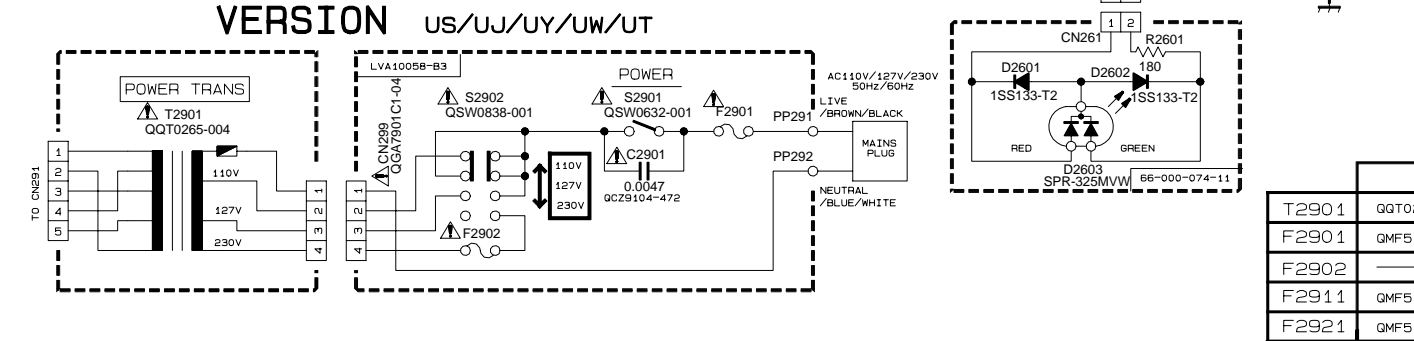
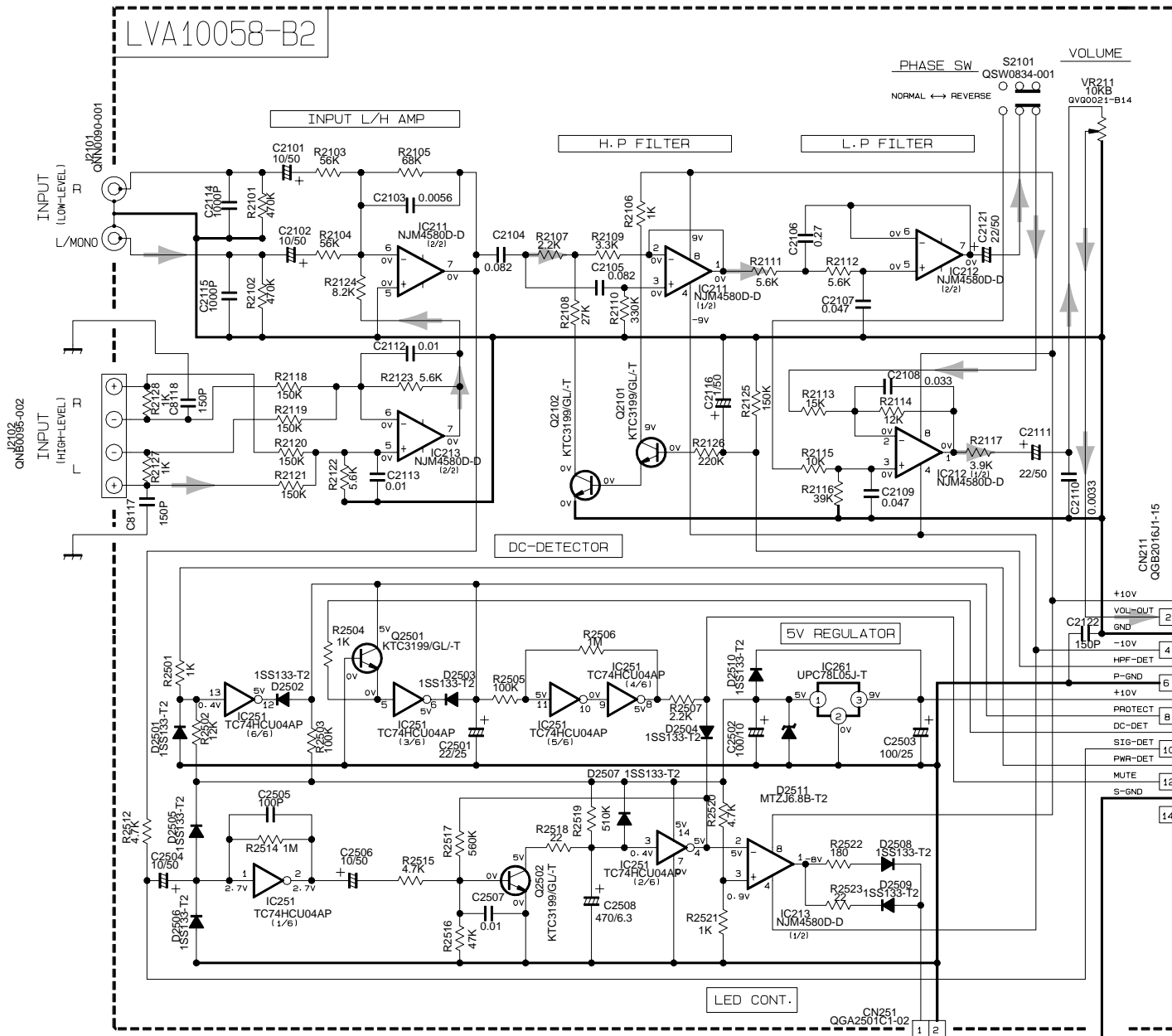
LVA10121-A1

Sub woofer amp section

NOTES

1. VOLTAGES ARE DC-MEASURED WITH A DIGITAL VOLT METER WITHOUT INPUT SIGNAL.
2. UNLESS OTHERWISE SPECIFIED.

ALL RESISTORS ARE 1/4W ±5% CARBON RESISTOR.
 ALL CAPACITORS ARE CERAMIC CAPACITOR OR MYLAR CAPACITOR.
 ALL RESISTANCE VALUES ARE IN OHM(Ω).
 ALL CAPACITANCE VALUES ARE IN μF(P=pF).
 ALL E-CAPACITORS ARE SHOWN IN THE FORM OF CAPACITANCE(μF)/RATED VOLTAGE (V).
 ALL INDUCTANCE VALUES ARE IN μH(m=mH).



	D	J/C	B/E/EN/EV/EE/UB	US/UJ/UJ/UT/UM	UF/UP	A
T2901	QGT0265-001	QGT0265-002	QGT0265-003	QGT0265-004	QGT0265-005	QGT0265-006
F2901	GMF51U1-2R5-J1	GMF51N2-2R0-J1	GMF51E2-1R0-J1	GMF51E2-1R6-J1	GMF51E2-1R0-J1	GMF51E2-1R0-J1
F2902				GMF51E2-1R0-J1		
F2911	GMF51N2-2R0-J1	GMF51N2-1R6-J1	GMF51E2-1R6-J1	GMF51E2-1R25-J1	GMF51E2-1R6-J1	GMF51E2-1R6-J1
F2921	GMF51N2-2R0-J1	GMF51N2-1R6-J1	GMF51E2-1R6-J1	GMF51E2-1R25-J1	GMF51E2-1R6-J1	GMF51E2-1R6-J1

Parts are safety assurance parts. When replacing those parts make sure to use the specified one.

SUBWOOFER SIGNAL

5

4

3

2

1

A

B

C

2-6

D

E

F

G

H

Printed circuit boards

■ Power IC board

■ Main board

■ LCD lamp board

■ Lamp board

■ Speaker jack board

■ Switch board

■ LCD board

5

4

3

2

1

A

B

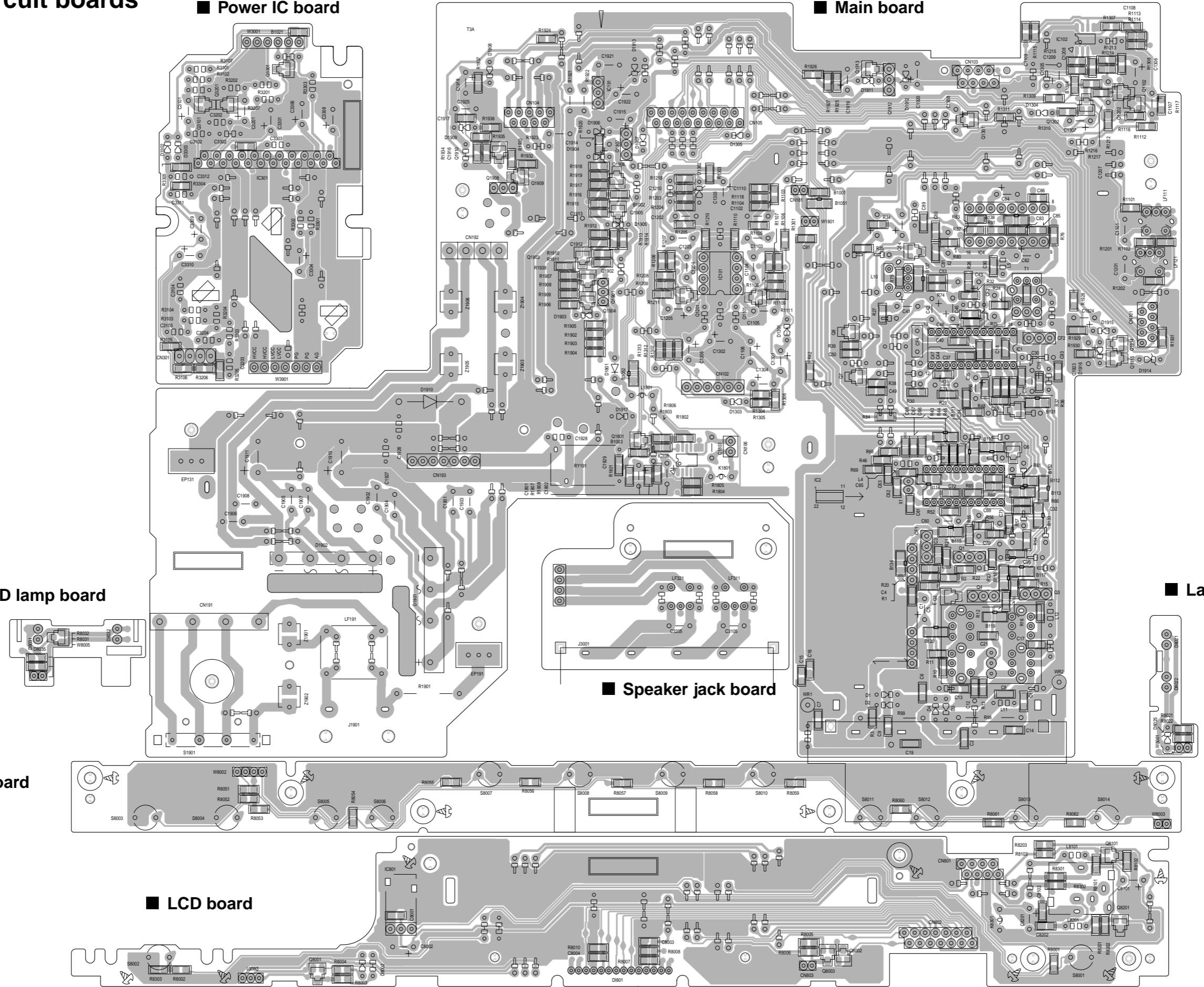
C

D

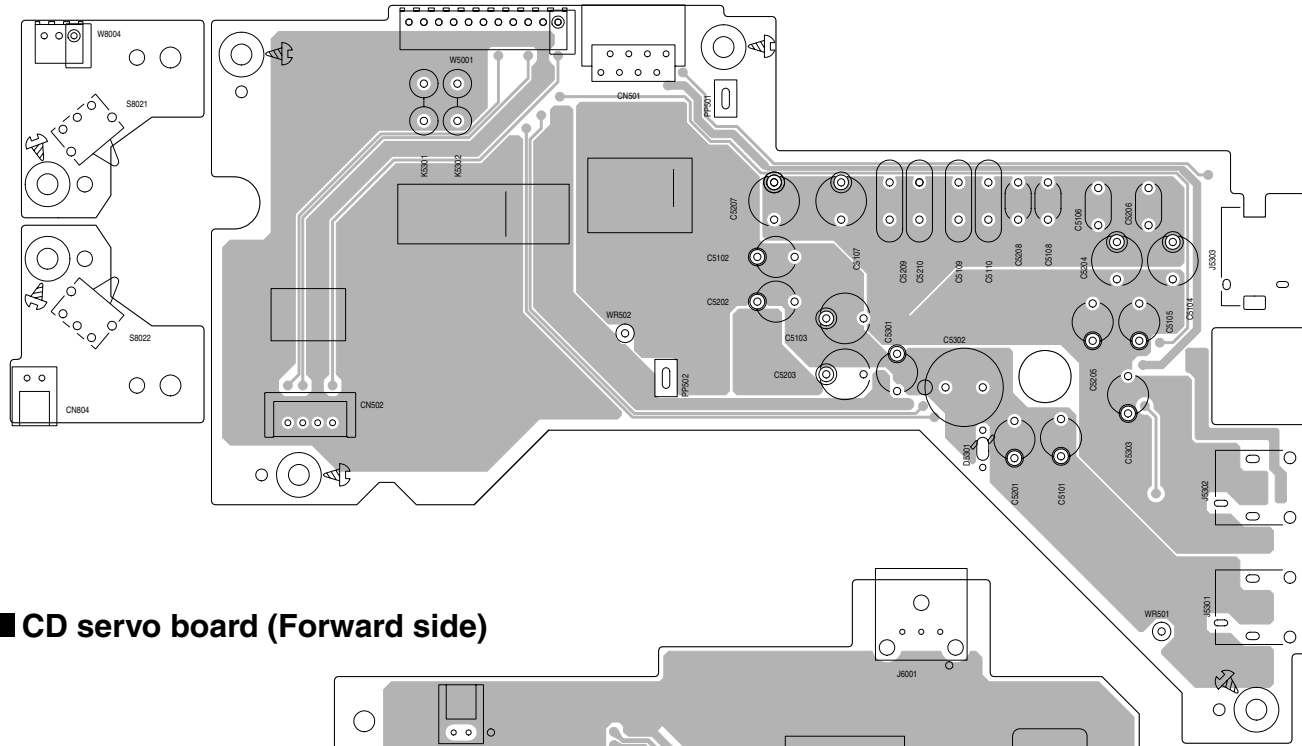
E

F

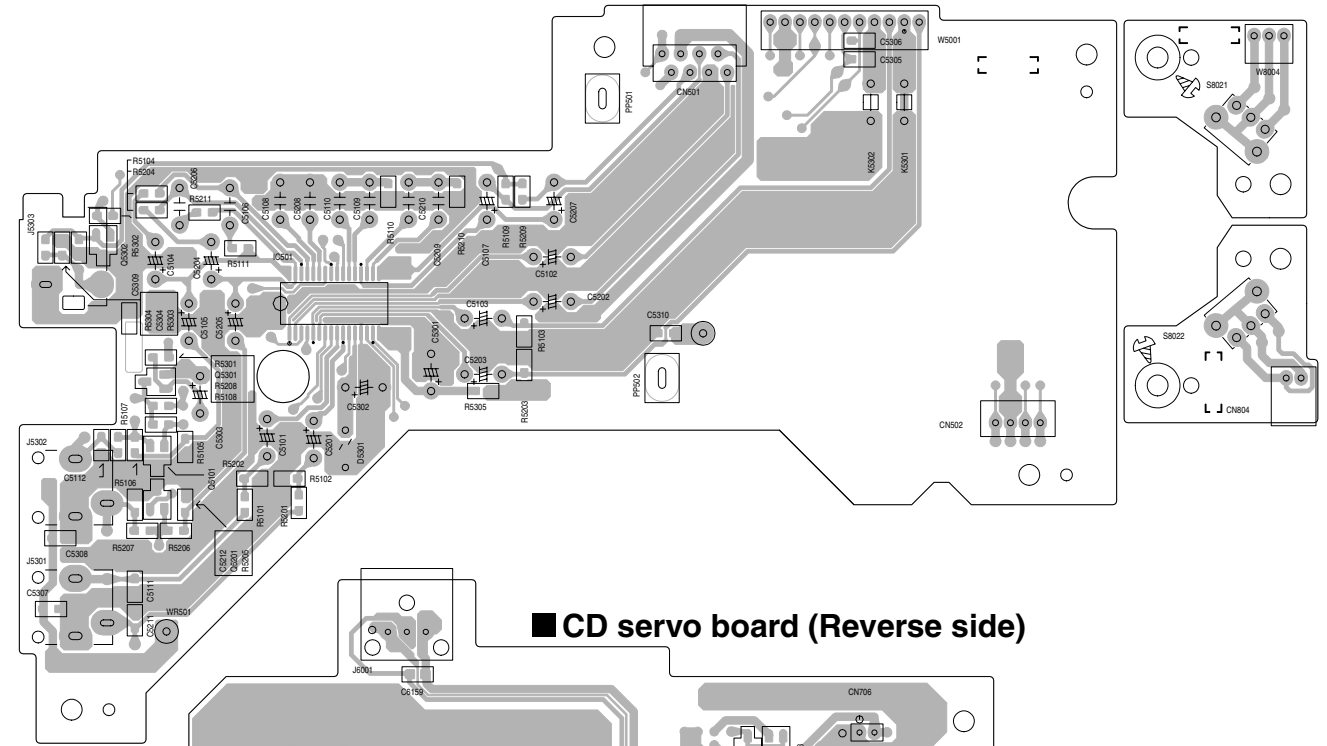
G



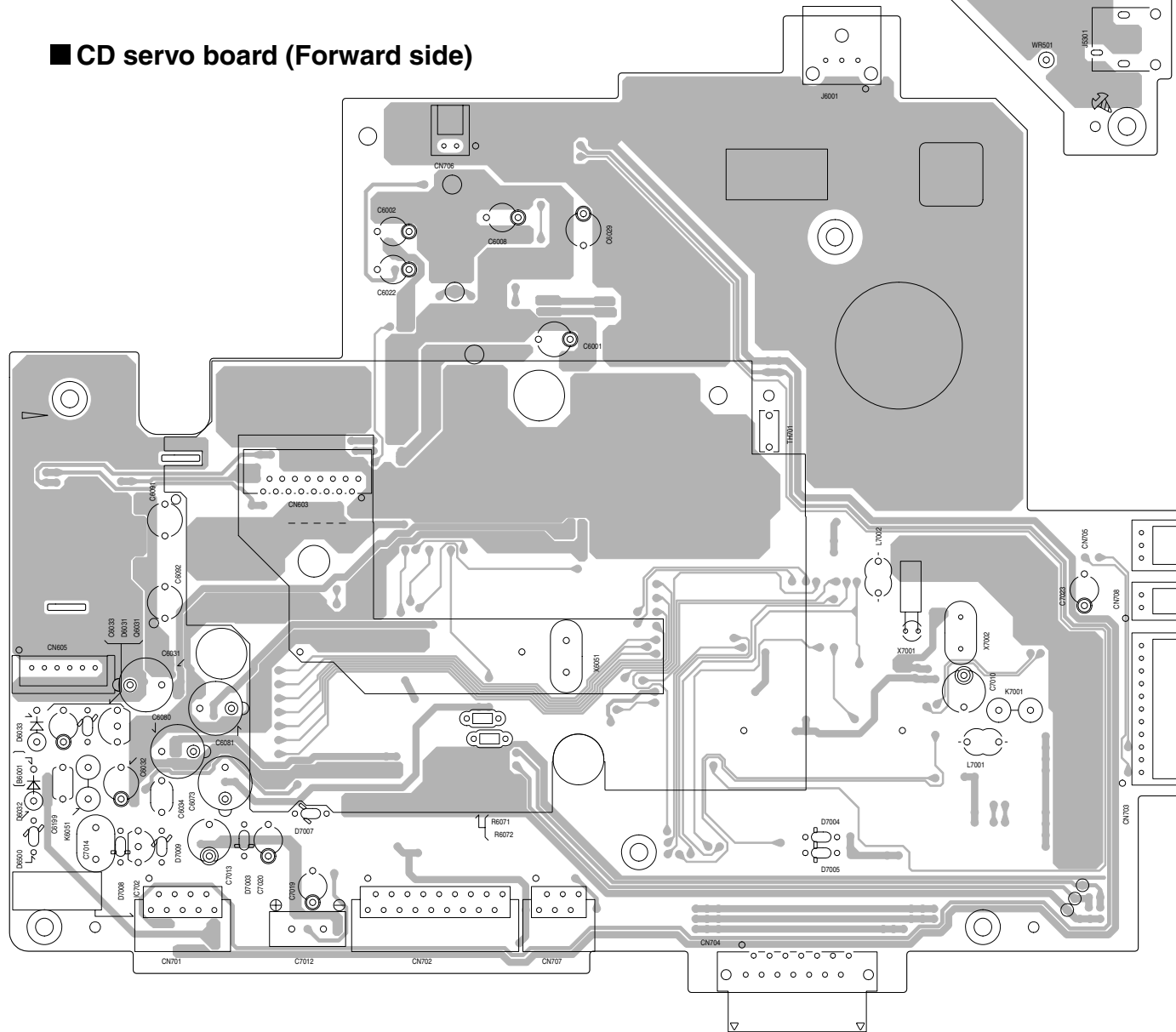
Line board (Forward side)



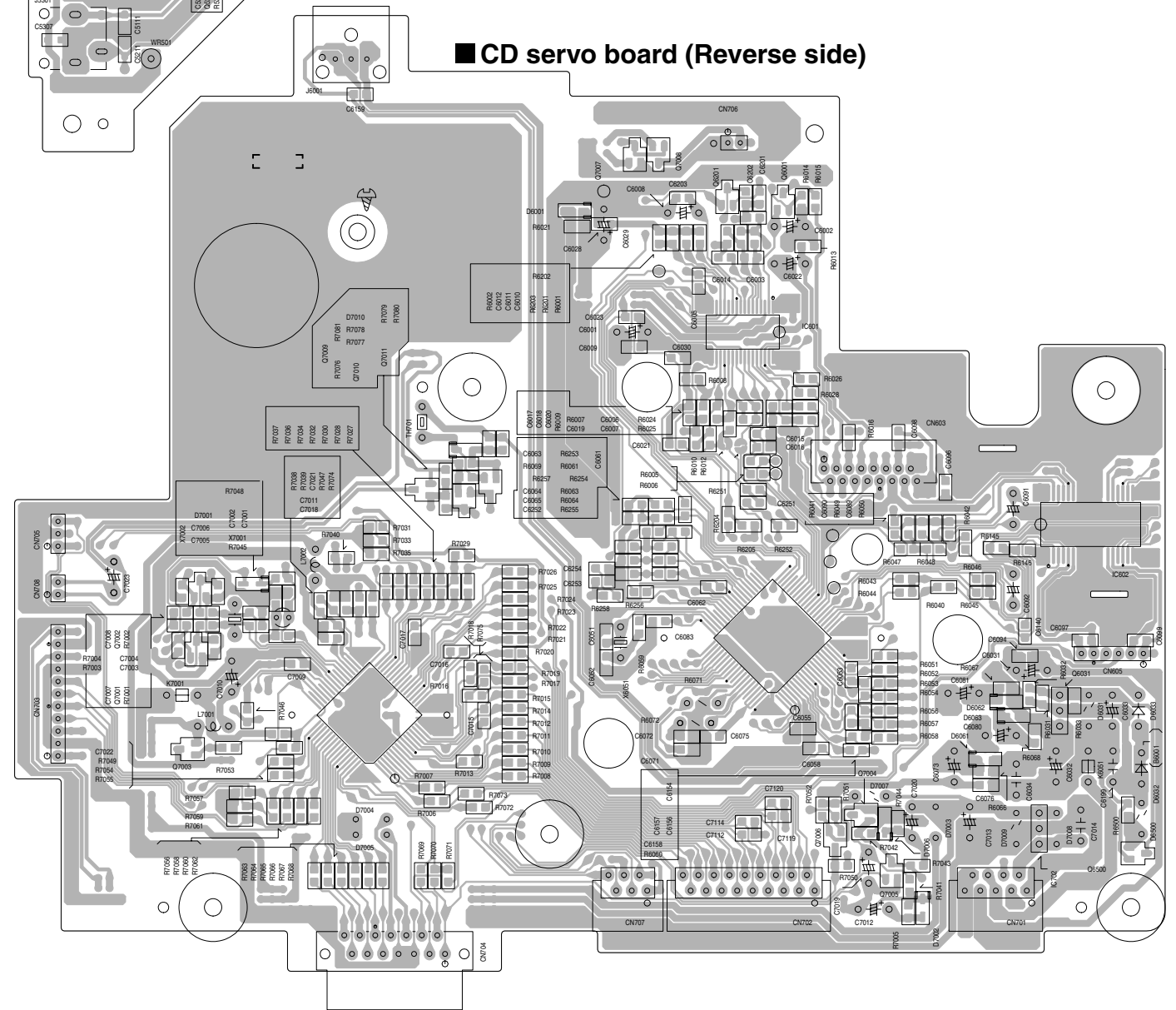
Line board (Reverse side)



CD servo board (Forward side)



CD servo board (Reverse side)



5

4

3

2

1

A

B

C

2-8

D

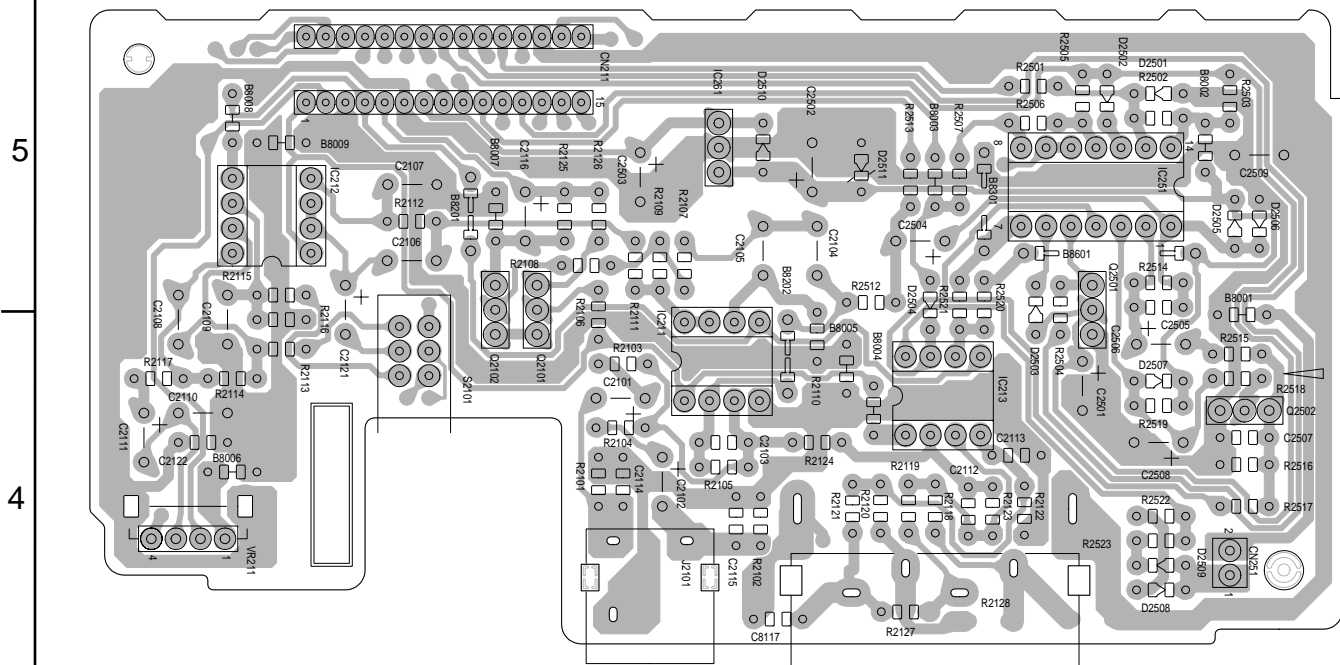
E

F

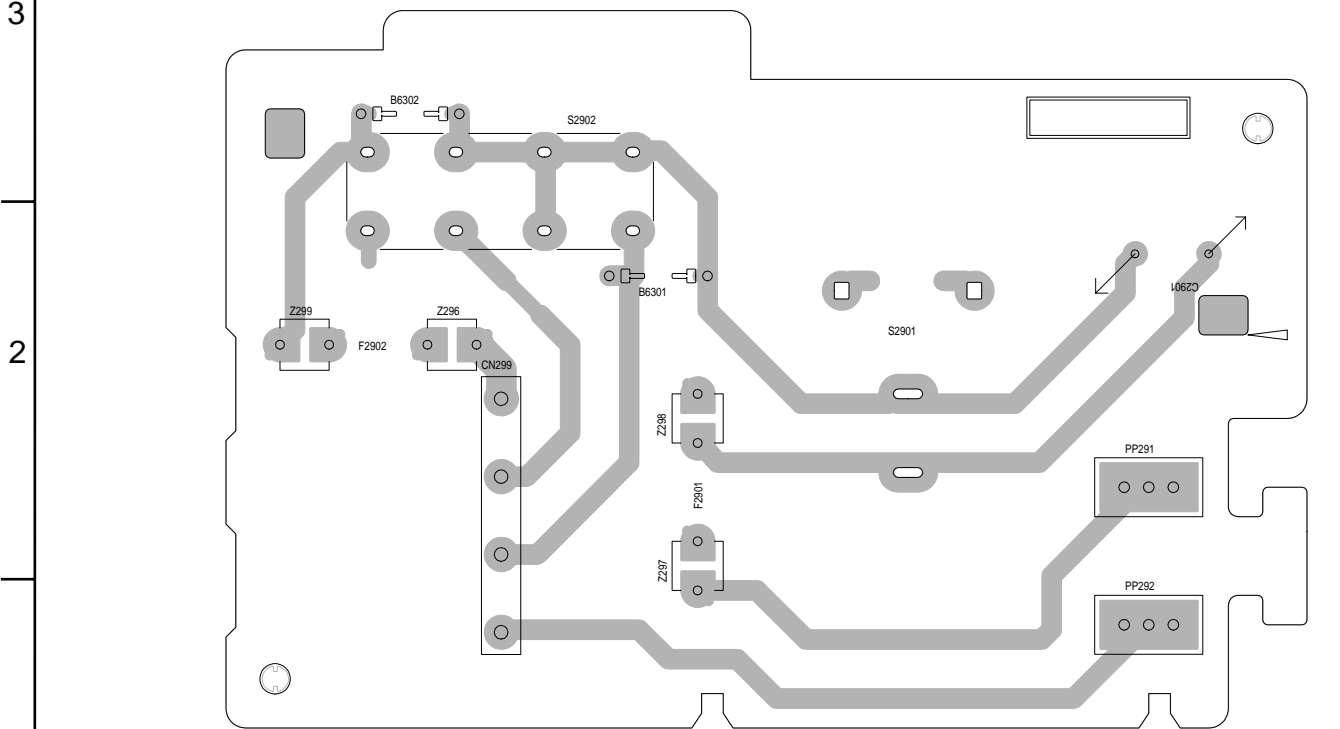
G

H

■ Subwoofer input board



■ Subwoofer power supply board



2-10

A

B

C